

GWHD8o Pebble Mini Hand dryer

True Plug & Play and Multi-product sharing platform



- Fastest drying time with compact size
- True Plug & Play platform for saving on sight After service cost
- Multi-product Plug & Play platform allow for new hand dryers installation without technician
- IONPURE anti-microbial metal preventing bacteria, mold and viruses growing
- Stunning design with high quality and durable ABS & UV coated finish



GWHD80 Pebble Mini Hand Dryer



Plug & Play installation

- No more on-site service
- Easy to install snap in/out system
- Replacement without the need for technician



Powerful & Compact

- Low energy – high speed
- 12 seconds Fastest drying time
- Perfect for washrooms with limited space



True multi-product Plug & Play platform

- New multi-product True Plug & Play platform allows for all our hand dryers on the same mounting bracket
- Users can simply replace or upgrade models without the need for any technician or on-site service



IONPURE anti-microbial treatment

- IONPURE anti-microbial metal ions prevent mold and viruses growing in the Hand dryer



High quality ABS cover

- High quality ABS increases the durability of the hand dryer
- UV coating finish makes it beautiful surface, more resistant to scratches and general wear and tear

Specifications

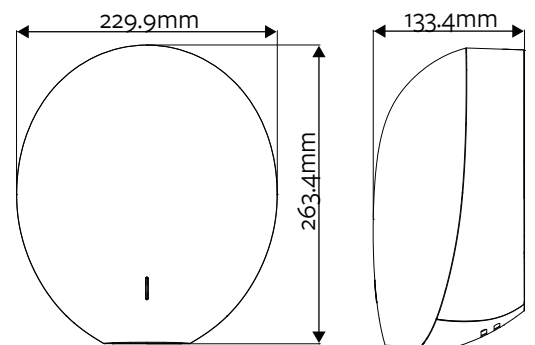
Item Category	Specifications
Voltage & Frequency	AC 220~240V, 50Hz / AC 110~120V, 60Hz
Rated power	800W (Included Heater)
Standby power	≤ 0.7W
Sensing Range	Auto Infrared touch free operation
Sensing Range	45° 10~20cm
Motor type	Brushed motor 400 Watts
Motor RPM	30,000RPM
Air speed (m/s)	96m/s
Air volume	84m ³ /h
Drying time	Under 12sec.
Noise (dBA)	≤ 78 dB(A) @ 1 meter
LED Light	Blue LED for pointing air blow range White LED for standby Blue LED for operating
Heater	Yes, no switch
Operating cycle	50 sec (The machine shut down automatically after 50 sec.)
Internal material	Heatproof PP fireproof 94VO
Protection device	Auto reset safety overload against 115°C in motor 85°C in board
Anti-theft function	Allen lock screws and lock with allen wrench
Internal lead wire	Temperature resistant 105°C
Drip Proof	IPX3
Electrical Isolation	Class II



Black

Silver

White



Packing Information

Unit weight	Gross Weight	Unit Size (mm)	Box size (mm)	Q'ty a pallet	Pallet size (m)
2 kg	2.6 kg	229.9x1263.4x133.4	290x256x165	132sets	1.2x1.1x1.96

